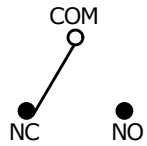


P.C. MOUNTING



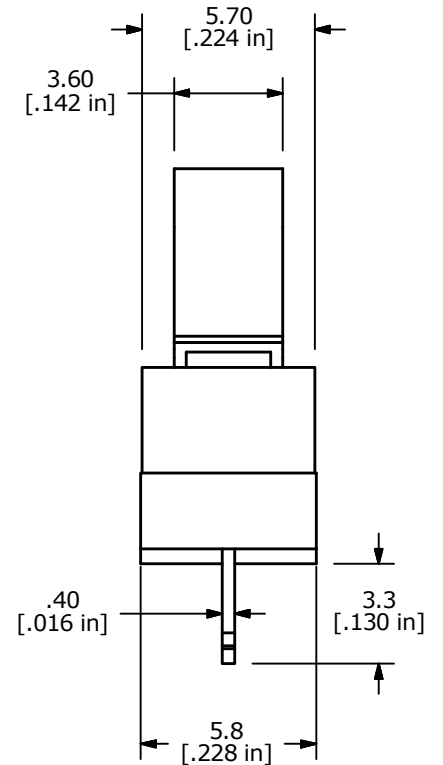
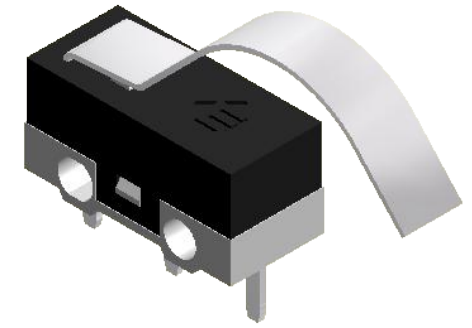
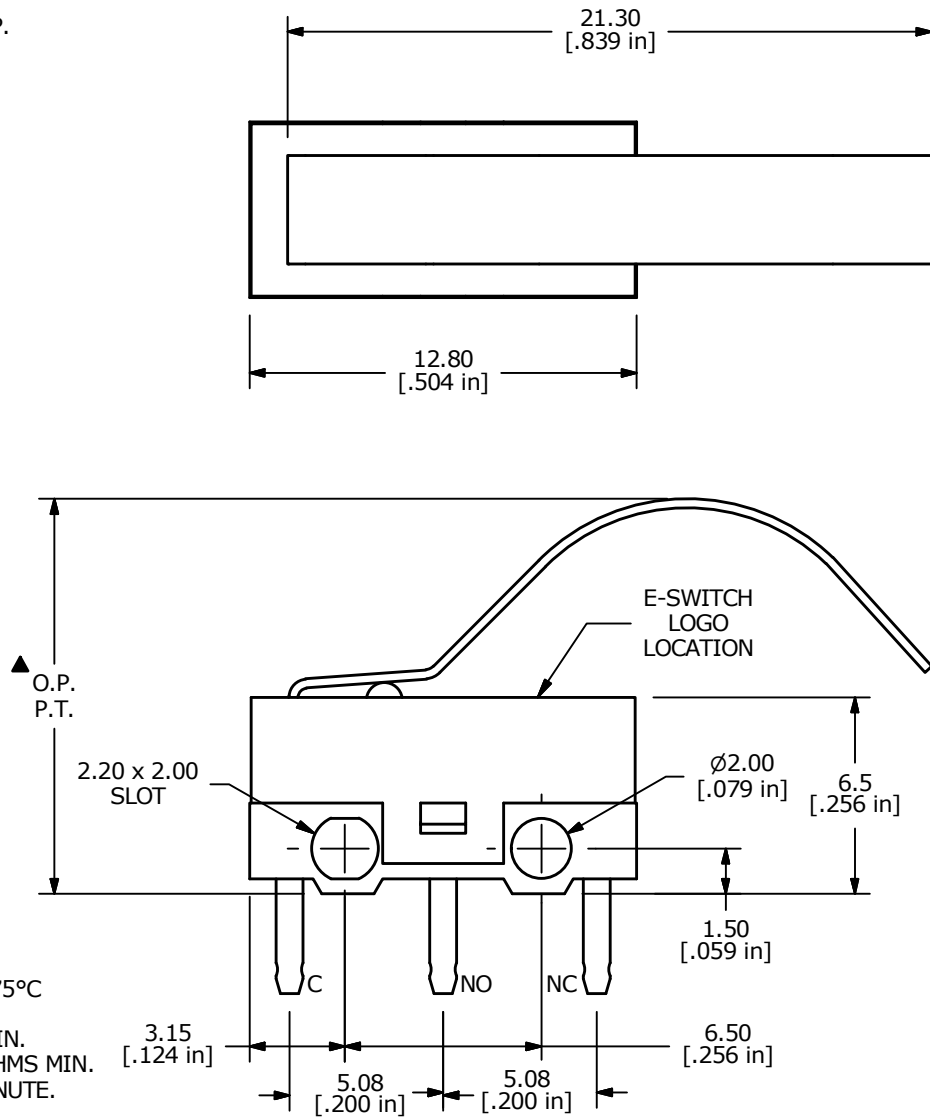
CIRCUIT: SPDT

O.P. (MM)	P.T. (MM)
12.5±1.0	15.1 MAX.

O.P. = OPERATING POINT
P.T. = PRE-TRAVEL

NOTE:

1. ALL DIMENSIONS IN MM [INCH]
2. GENERAL TOLERANCE: X.X=±0.4
X.XX=±0.25
- ▲ 3. RATING: 3A @ 125 VAC UL
1.5A @ 250 VAC UL
- ▲ 4. OPERATING FORCE: 30 ±15 GF
5. OPERATING TEMPERATURE: -25°C TO +75°C
6. ELECTRICAL LIFE: 10,000 CYCLES MIN.
7. MECHANICAL LIFE: 1,000,000 CYCLES MIN.
8. INSULATION RESISTANCE: 100 MEGA-OHMS MIN.
9. DIELECTRIC STRENGTH: 500 VAC - 1 MINUTE.
10. ▲ DENOTES CRITICAL PARAMETER.
11. PACKAGED IN BAGS, 1,000 PCS/PER BAG.
12. 2011/65/EU (ROHS) COMPLIANT



A	22451	NEW RELEASE	8/17/16	MJR
REV	PCR NO	DESCRIPTION	DATE	BY

E-SWITCH®				
TITLE SS0750304F030P1A				
SCALE	DATE	DR	DWG	REV
4:1	8/17/2016	MJR	Q971039	A

THE INFORMATION CONTAINED IN THIS DOCUMENT IS PROPRIETARY TO E-SWITCH AND IS NOT TO BE COPIED OR TRANSFERRED